

# ClearLine

PENDANT



## SPECIFICATION SHEET

ClearLine



### Model CL2

**Type**  
P Pendant

**Size**

36	36.0" [914mm]
48	48.0" [1219mm]
60	60.0" [1524mm]
72	72.0" [1829mm]
96	96.0" [2438mm]
Custom	

### Wattage<sup>1,2</sup>

Direct <sup>3</sup>	Indirect <sup>4</sup>
<b>36"</b>	
LD 9W (1200lm)	LI 9W (1200lm)
MD 18W (2230lm)	MI 18W (2230lm)
<b>48"</b>	
LD 12W (1600lm)	LI 12W (1600lm)
MD 24W (2970lm)	MI 24W (2970lm)
<b>60"</b>	
LD 15W (2000lm)	LI 15W (2000lm)
MD 30W (3715lm)	MI 30W (3715lm)
<b>72"</b>	
LD 18W (2400lm)	LI 18W (2400lm)
MD 36W (4460lm)	MI 36W (4460lm)
<b>96"</b>	
LD 24W (3200lm)	LI 24W (3200lm)
MD 48W (5945lm)	MI 48W (5945lm)

XD – No Direct      XI – No Indirect

### Color Temp<sup>5</sup>

30	3000
35	3500
40	4000

### Voltage

2 220/240 Volt

### Driver

RD Remote  
ID Integral

### Control - RD

S Non-dim  
D010 0-10V  
DALI DALI  
SWD SwitchDIM  
X If integral driver is selected

### Control - ID

S Non-dim  
D010 0-10V  
DALI DALI  
SWD SwitchDIM  
X If remote driver is selected

### Diffuser Bottom

SW Satin opal acrylic  
CB Extruded aluminum – painted to match the fixture

### Diffuser Top

SA Satin clear acrylic  
CT Extruded aluminum – painted to match the fixture

### Finish<sup>6</sup>

16 Clear anodized aluminum  
21 Painted white - RAL 9010 matte  
26 Painted black - RAL 9005 matte  
22 Painted custom color

### Mounting

SC Straight cables

### Circuit

CS Circuit - Single  
CD Circuit - Dual

### Power Cable<sup>7</sup>

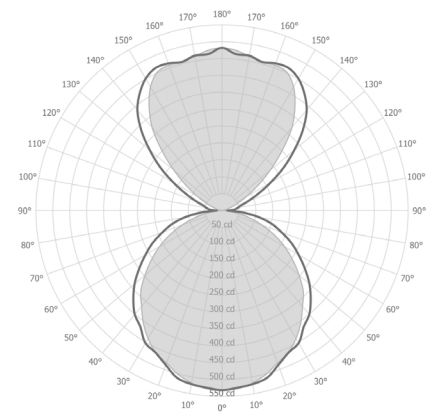
CC Clear insulated cable (standard)  
WC White cable  
BC Black cable

### Notes

- Nominal lumens value specified
- Linear LED board, constant voltage 24 Volt
- For no Direct light specify XD
- For no Indirect light specify XI
- 90+ CRI standard
- Canopy finish matches housing  
For Clear anodized aluminum finish, canopy finish will be painted anodized aluminum
- 96" standard cable length

### Example fixture number:

CL2 - P - 48 - LD - LI - 30 - 2 - ID - X - S - SW  
- SA - 16 - SC - CS - CC



# ClearLine

## PENDANT

The ClearLine pendant is designed for direct and indirect illumination in offices or reception desks. Fixture mounts via aircraft cables. Cable grippers used, allow one to adjust mounting height without tools.



### Size

36	36" [914mm]
48	48" [1,219mm]
60	60" [1,524mm]
72	72" [1,829mm]
96	96" [2,438mm]
Custom	



\* 78mm x 133mm fixture body profile  
\* Continuous fixture with hairline fixture segments connection

# ClearLine

PENDANT



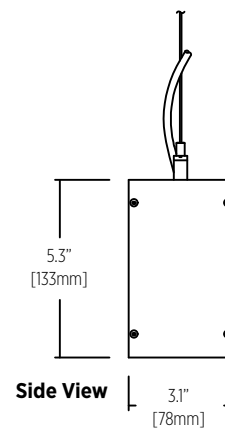
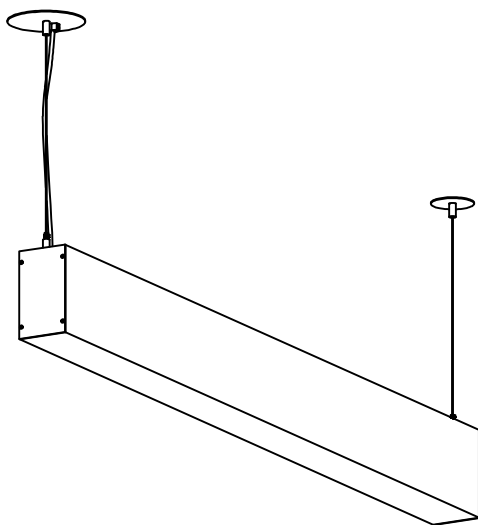
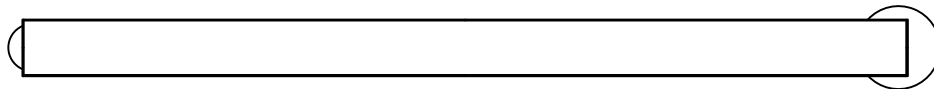
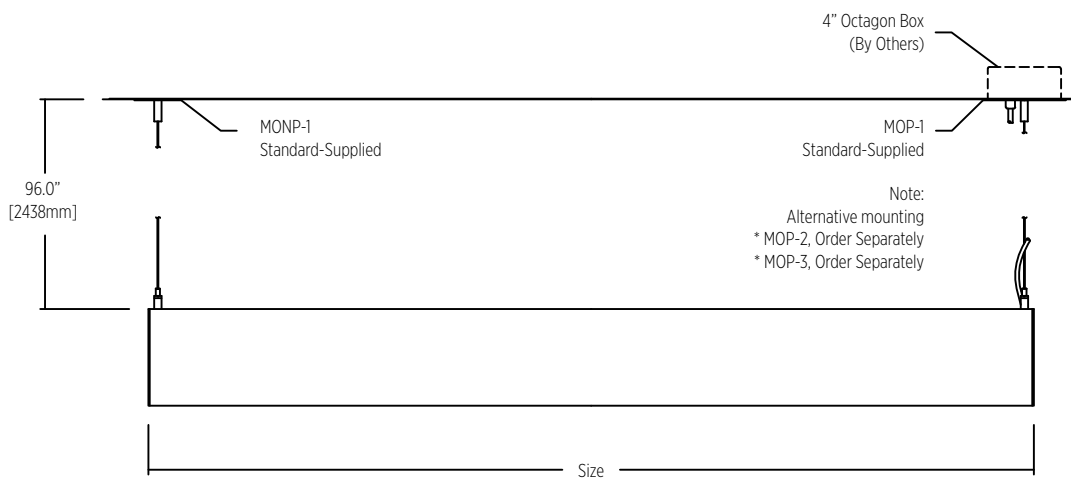
## SPECIFICATION SHEET

ClearLine



### INSTALLATION TYPE

Straight cables with integral driver



# ClearLine

PENDANT



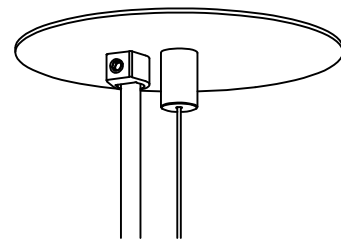
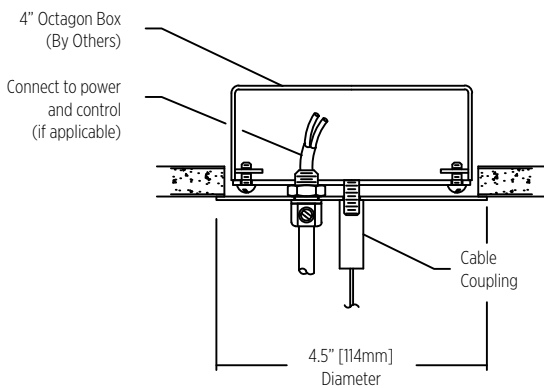
## SPECIFICATION SHEET

ClearLine



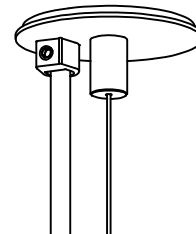
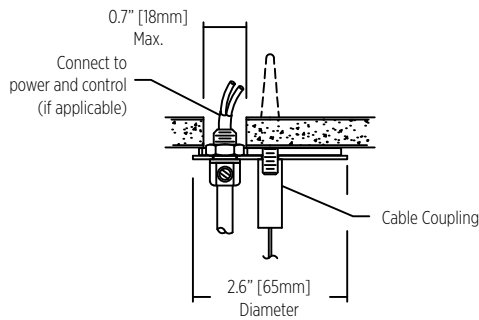
### STRAIGHT CABLES MOUNTING OPTION - POWER

#### MOP-1 Standard - Supplied



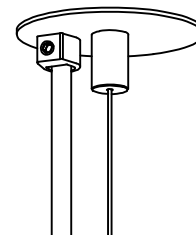
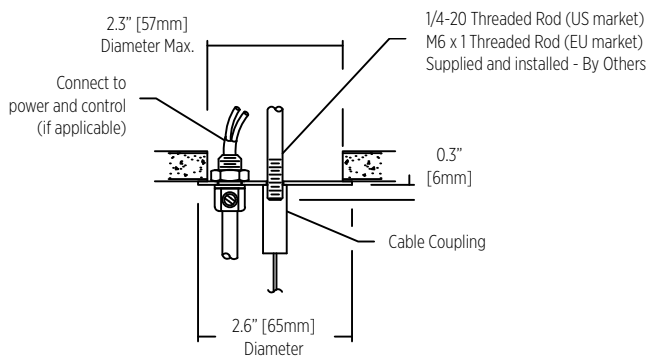
Mounting Option Power 1  
Octagon Box (By Others)  
Installed in drywall, wood or concrete ceiling

#### MOP-2-1 Order Separately



Mounting Option Power 2-1  
Suspension assembly  
Installed in drywall or wood ceiling

#### MOP-2-2 Order Separately



Mounting Option Power 2-2  
Suspension assembly  
Installed in drywall or wood ceiling

# ClearLine

PENDANT

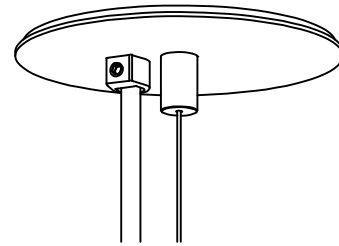
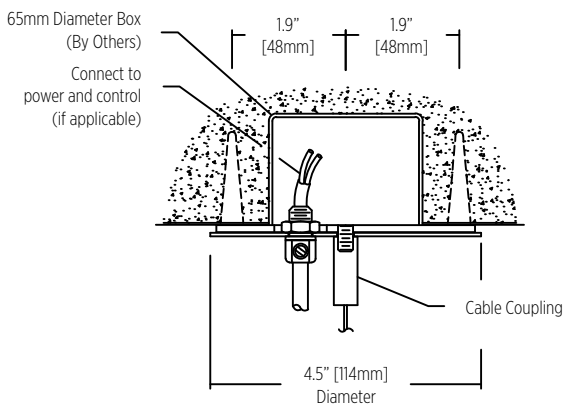


## SPECIFICATION SHEET

ClearLine



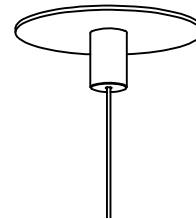
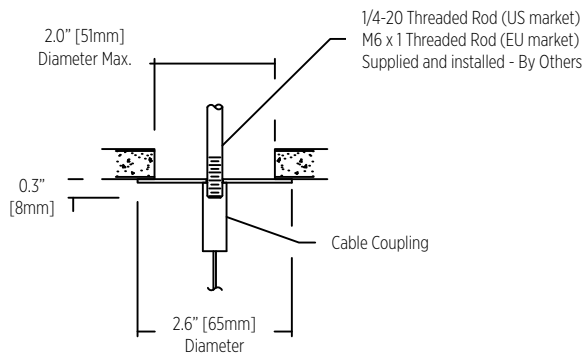
### MOP-3 Order Separately



Mounting Option Power 3  
65mm Diameter Box (By Others)  
Installed in drywall, wood or concrete ceiling

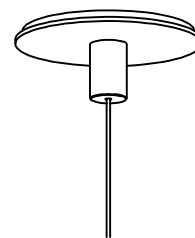
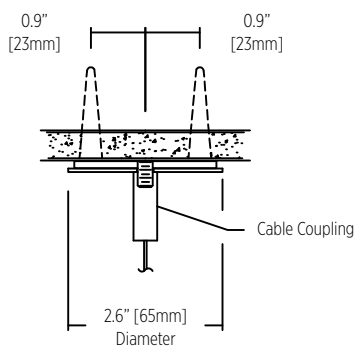
### STRAIGHT CABLES MOUNTING OPTION - NON POWER

#### MONP-1-1 Standard - Supplied



Mounting Option - Non Power  
Threaded Rod installed  
to structural ceiling (By Others)

#### MONP-1-2 Alternative - Supplied



Mounting Option - Non Power  
Suspension Assembly  
Installed in drywall, wood or concrete ceiling